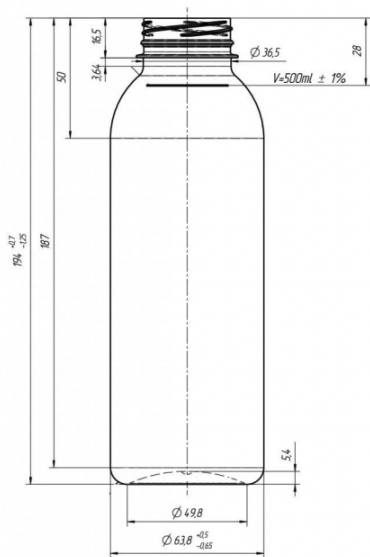


Bobby 500



Food contact statement

We hereby confirm that this product complies with the requirements of the European legislation (EU) no 10/2011 and all its amendments for plastics used in contact with food

General info

Item no. (SKU):	LS1031219102
Family / Range:	Bobby
Capacity:	500ml
Neck:	38mm 3-Start
Weight:	21
Shape:	Round
Material:	PET
Colour:	
Print Areas:	
Country of Origin:	Lithuania

Packaging Info

Packed in Boxes

Box Dimensions (mm):	594 x 394 x 448
Quantity per box (pcs):	110
Boxes per pallet (pcs):	20
Quantity per pallet (pcs):	2200
Net weight (kg):	46
Gross weight (kg):	69
Pallet height (mm):	2400

Packed in PE bags on trays (Full pallet)

Tray dimensions (mm):	1200 x 800 x 50
Quantity per tray (pcs):	224
Quantity per PE bag (pcs):	112
PE bags per tray (pcs):	2
Trays per pallet (pcs):	11
Quantity per pallet (pcs):	2464
Net weight (kg):	52
Gross weight (kg):	66
Pallet height (mm):	2400

Storage

Please be aware that these products are handled and stored correctly in order to ensure the safety and quality of our products. When storing this product, please avoid excessive force and storage above 40 degrees Celsius (86 degrees Fahrenheit)